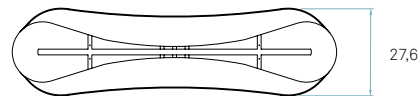
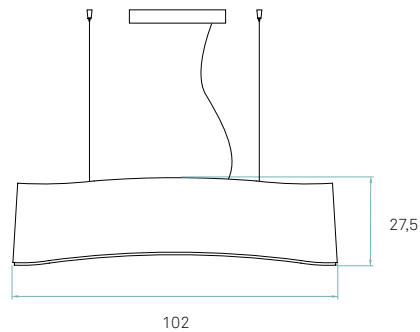


**New Wave / SUSPENSION**

by Ray Power



**New Wave / SUSPENSION**  
by Ray Power



References

- NWAV S LED DIM0-10V**  
Dimmable 0-10V
- NWAV S LED DIMD**  
Dimmable Dali
- NWAV S LED DIMRC**  
Dimmable  
Remote control
- NWAV S LED DIMBT**  
Dimmable  
Bluetooth

Info

- Dimmable 0-10V
- Dimmable Dali
- Dimmable  
Remote control
- Light Emission  
Direct

Certificates



Class I

Wood shade colors

- Exterior**
- 26 Red
- Interior**
- 24 Yellow
- &**
- Exterior**
- 30 Turquoise
- Interior**
- 24 Yellow

Components

- Metal canopy**  
Brushed niquel
- Electrical cable**  
Transparent  
2 m drop
- Steel cable**  
4 x 2 m drop

Packaging

- Box size**  
120 x 30 x 32 cm
- Box volume**  
0,11 m³
- Weight**  
Gross - 5,1 Kg  
Net - 2,9 Kg

LED (Integrated)



LED



**Flexible Strip 24V**  
14 w

Energy class

LED integrated



Dimming

0-10V: Requires a dial or switch dimmer. Not included.

Dali: Requires a Dali central.

Remote Control: (Radio frequency hand sender included).

Bluetooth: for iOS & Android (restricted utilities).

Details

Input Voltage

Luminous Flux

CRI

Watt. CCT

Lifetime (L70)

LED Flexible Strip 24V

230V

1230 lm

80

18 W

3000 °K

40000 h



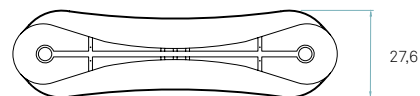
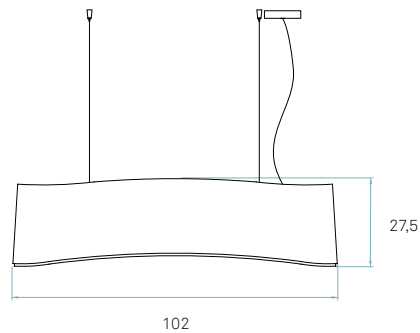
**New Wave / SUSPENSION**

by Ray Power



## New Wave / SUSPENSION

by Ray Power



## References

## NWAV S



Light Emission  
Direct

## Certificates



Class II

## Packaging



## Metal canopy

White  
ø 8 cm

## Electrical cable

Transparent  
2 m drop



## Steel cable

4 x 2 m drop



## Box size

120 x 30 x 32 cm

## Box volume

0,11 m<sup>3</sup>



## Weight

Gross - 3,9 Kg  
Net - 1,7 Kg

## Recommended bulbs (Not Included)



## E27



CFL Mini Globe  
2 x 9 w max  
or



CFL Spherical DIM \*  
2 x 11 w max  
or



LED Spherical  
2 x 16,5 w max



## Dimming

\* Requires a dial or  
switch dimmer.  
Not included

## Energy class



A++  
A+  
A  
B

## Details

Input  
Voltage

Luminous  
Flux

CRI

Watt. CCT

Lifetime  
(L70)

CFL Mini Globe 9 w E27

220V-240V

405 lm

82

9 W

2700 °K

15000 h

CFL Spherical 11 w E27

220V-240V

570 lm

82

11 W

2700 °K

10000 h

LED Spherical 16,5 w E27

220V-240V

1521 lm

80

16,5 W

2800 °K

25000 h